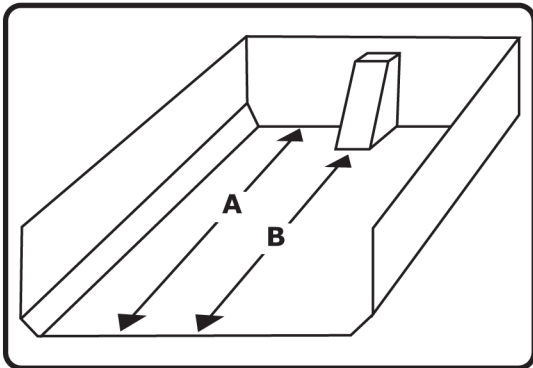




AVALANCHE LINERS FABRICATION GUIDE

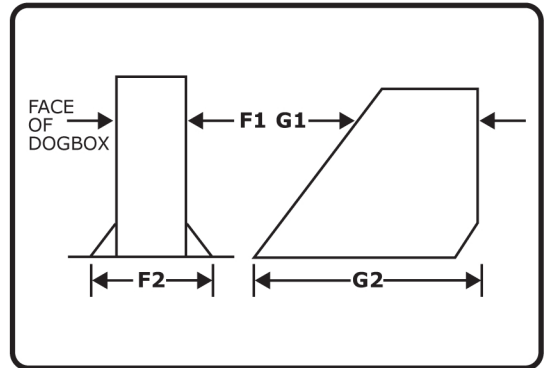
Please provide all measurements for the fabrication of your Avalanche bed liner.
Measurements must be exact (+/- 1/8") to ensure proper fit.

Please contact your sales representative should you have any questions regarding this worksheet or measurements.



Dimension A:

Dimension B:

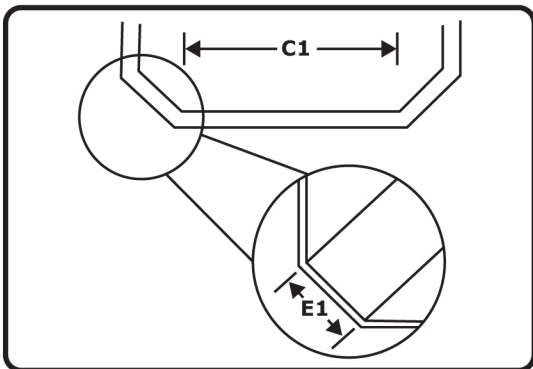


Dimension F1:

Dimension F2:

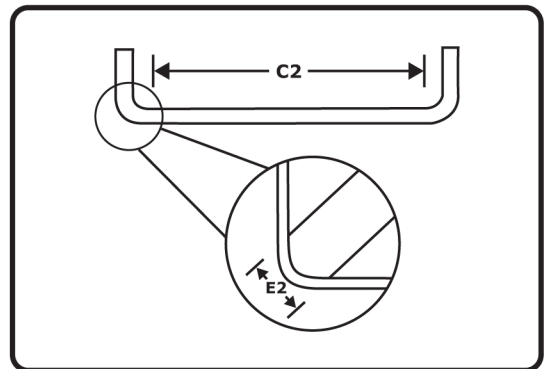
Dimension G1:

Dimension G2:



Dimension C1:

Dimension E1:



Dimension C2:

Dimension E2: