



AVALANCHE LINERS

Note: Fill out this form and send or fax it to Avalanche Liners when ordering. Avalanche Liners not responsible for verbal liner data

3273 West 5th Court Oxford, WI 53952 USA Ph: (608) 586-5100 Fax: (608) 586-5175 Toll Free: (877) 522-2382

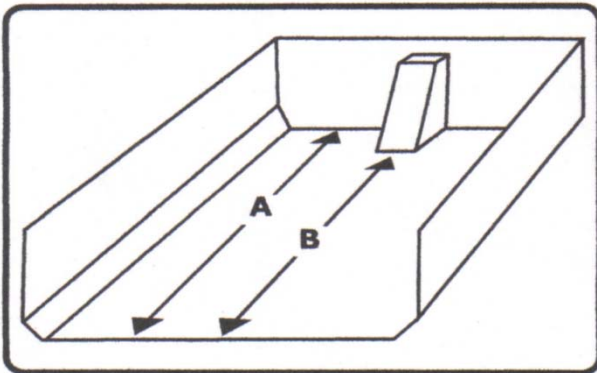
Web: www.polymerindustries.com

Email: mike@polymerindustries.com

Please provide all measurements for the fabrication of your Avalanche bed liner.

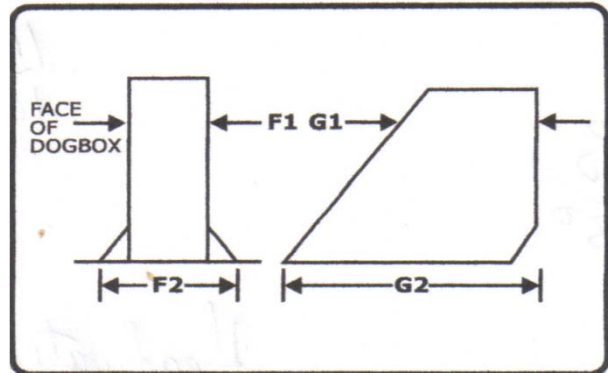
Measurements must be exact (+/- 1/8") to ensure proper fit.

Please contact your sales representative should you have any questions regarding this worksheet or measurements.



DIMENSION A:

DIMENSION B:

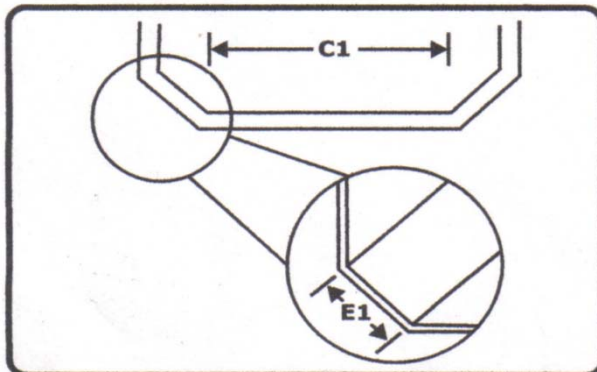


DIMENSION F1:

DIMENSION F2:

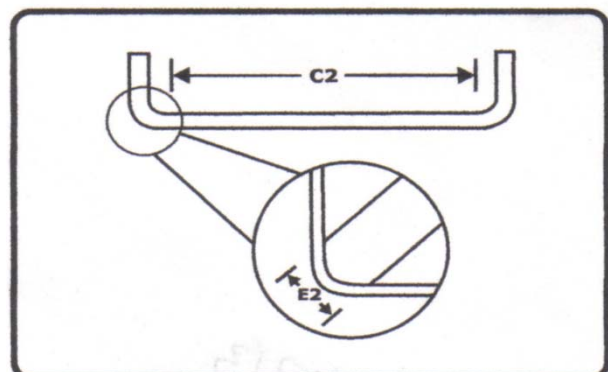
DIMENSION G1:

DIMENSION G2:



DIMENSION C1:

DIMENSION E1:



DIMENSION C2:

DIMENSION E2: